



PERSTA

RIDGE VENT SKYLIGHT

Integrating the skylight roof vent adds both passive ventilation and more light to the barn

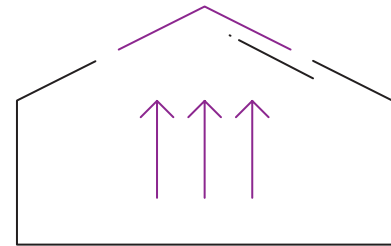
Natural light

Significantly saving energy

No length limitations

ERSTA RIDGE VENT SKYLIGHT ERSTA SKY

Integrating the skylight roof vent adds both passive ventilation and more light to the barn.



Integrating the skylight roof vent adds both passive ventilation and more light to the barn.

Optimal air circulation using aerodynamic elements and external flow support minimises the need for fans.

Making the skylight wide enough provides natural light for the barn, significantly saving energy. The skylight roof vent plays a key part in the barn's air exchange, improving the animals' general welfare.

The system is variable and can be adapted to almost all barn types, regardless of shape, roof slope, or roofing.

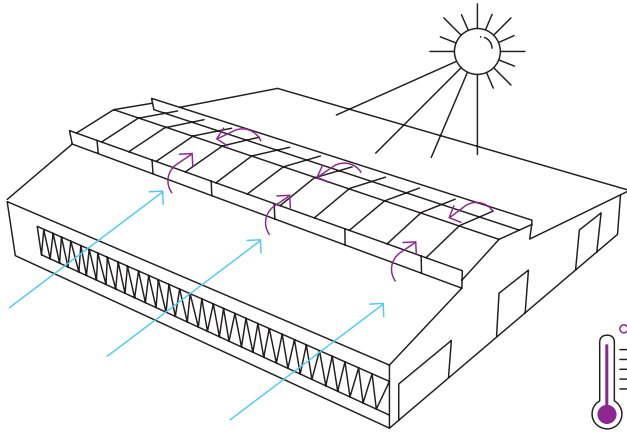
The skylight roof vent width can be up to 3.5 m, with no length limitations.

The structural support ensures a high degree of stability and durability even with intense gusts of wind or heavy snow cover.

The covering is made of long-lasting cellular polycarbonate with a 2UV filter.

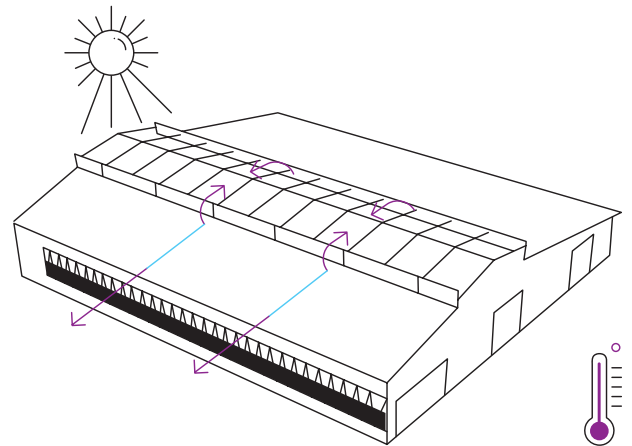


HOW ERSTA WORKS

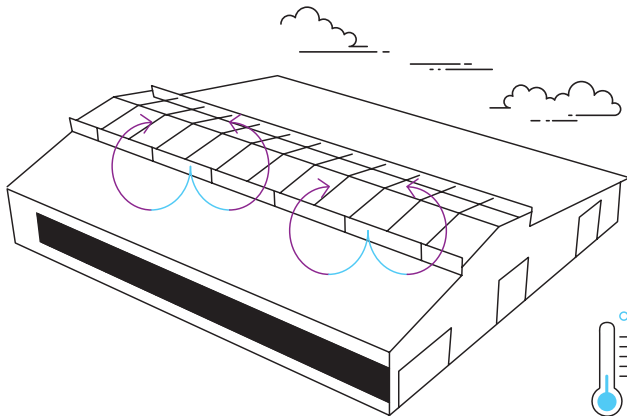


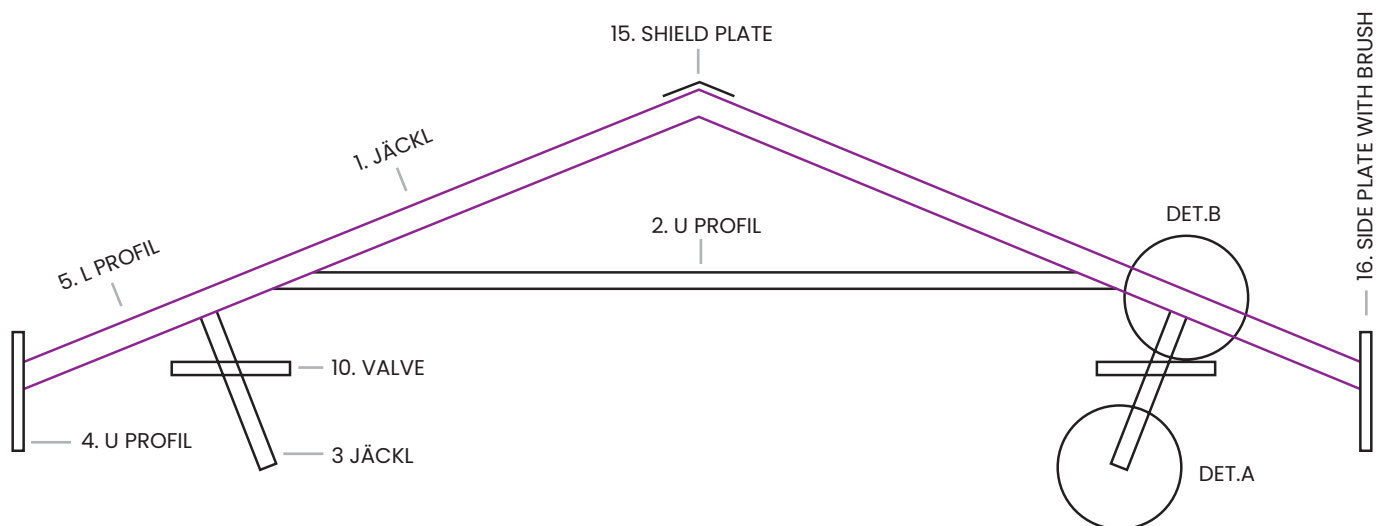
- The sensors automatically control side curtains and ventilators.
- If the temperature outside is lower than in the barn, the ventilators suck in air from the outside into the barn, cooling it through the skylight while also lowering ammonia

- The roll-up curtain sides are open.
- The ventilators are running, cooling the air in the barn while also lowering ammonia and CO2 levels.
- Goal: Lowering the cows' heat stress level.



- In winter, the curtains are mostly closed, and the ventilators are working, lowering ammonia and CO2 levels in the barn.
- In strong wind, the curtains automatically only close on the windward side or are closed fully.





Construction opening widths from 1 to 3.5 m. Construction opening lengths from 30 to 100 m.



We will be happy to answer any questions you may have. Give us a call or send us an email.

ERSTA s.r.o.
 Chlebov 77, 392 01 Soběslav
 Czech Republic

+420 702 202 357
 petr.gondek@ersta.com
 www.ersta.com

